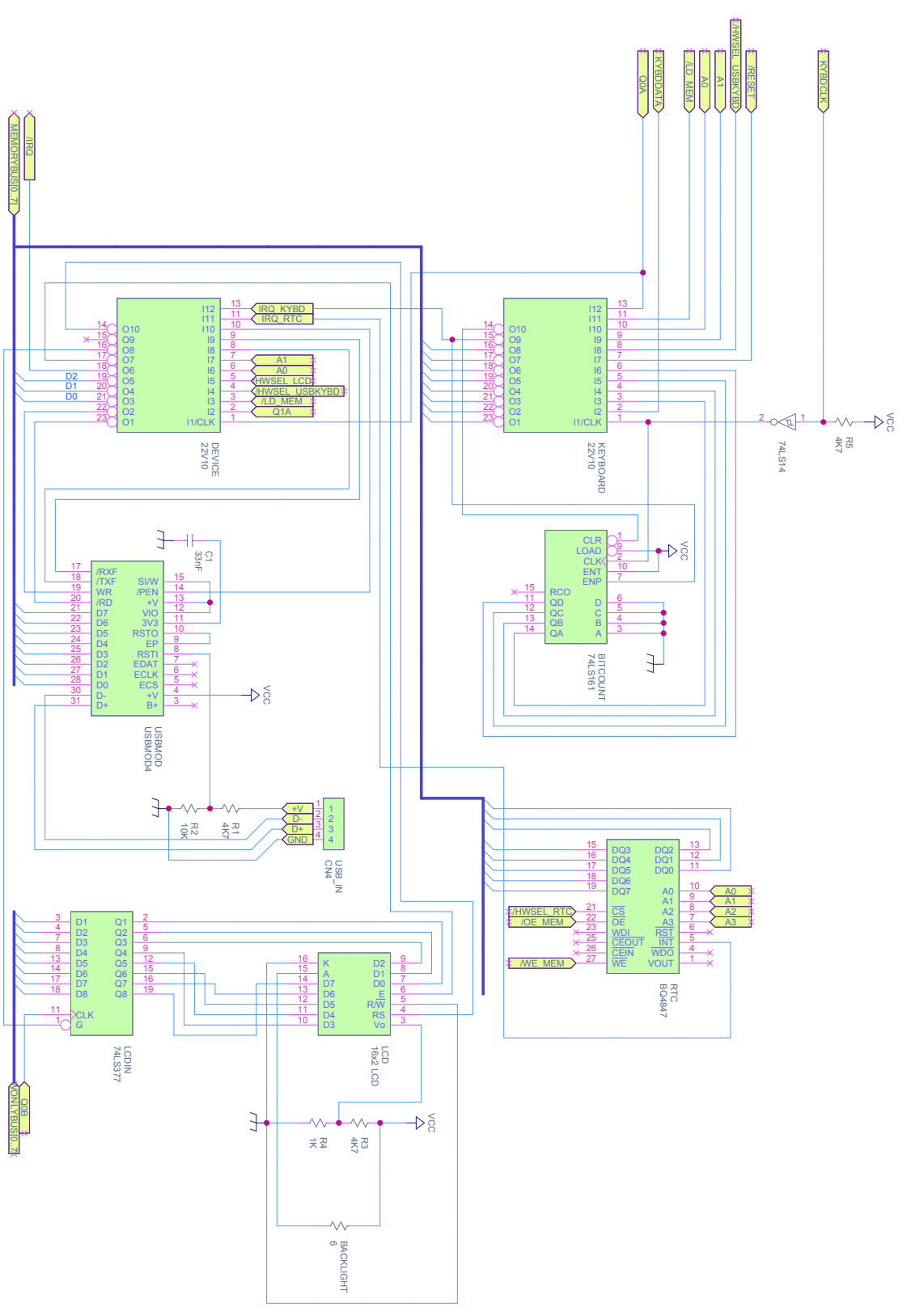


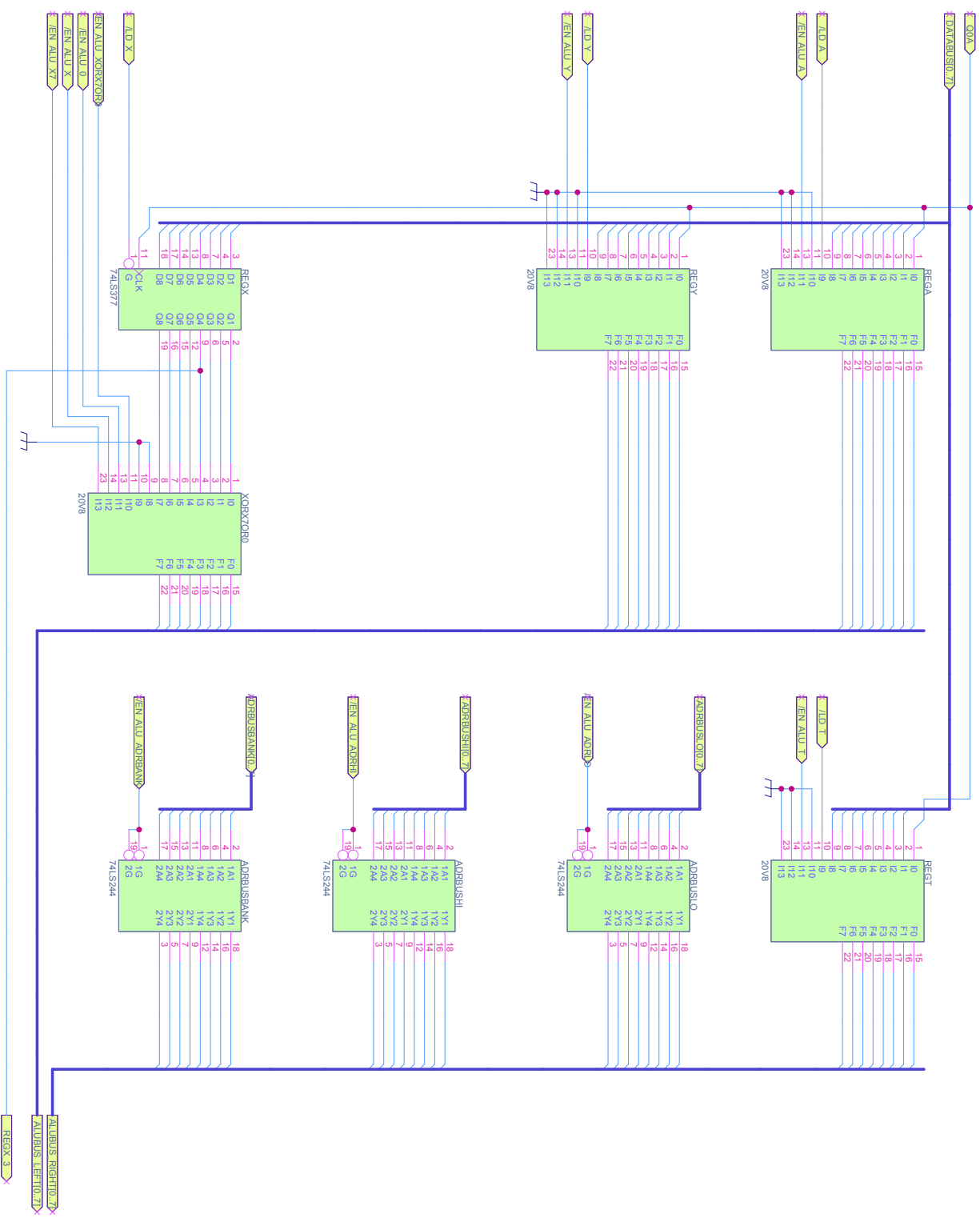
Title		Revision	
Control Module		1	
Size	DOC NO	Revision	1
A3	1	3.00/2008-03/27 51 PM	(SINH)
Control module active			
Tria		N/A	



Hardware Devices

Part	Value	Revision	Symbol
Size	A3	1	(Symbol)
Doc No	1	1	(Symbol)
Device active	10752001.3.4.4.2.FM	1	(Symbol)

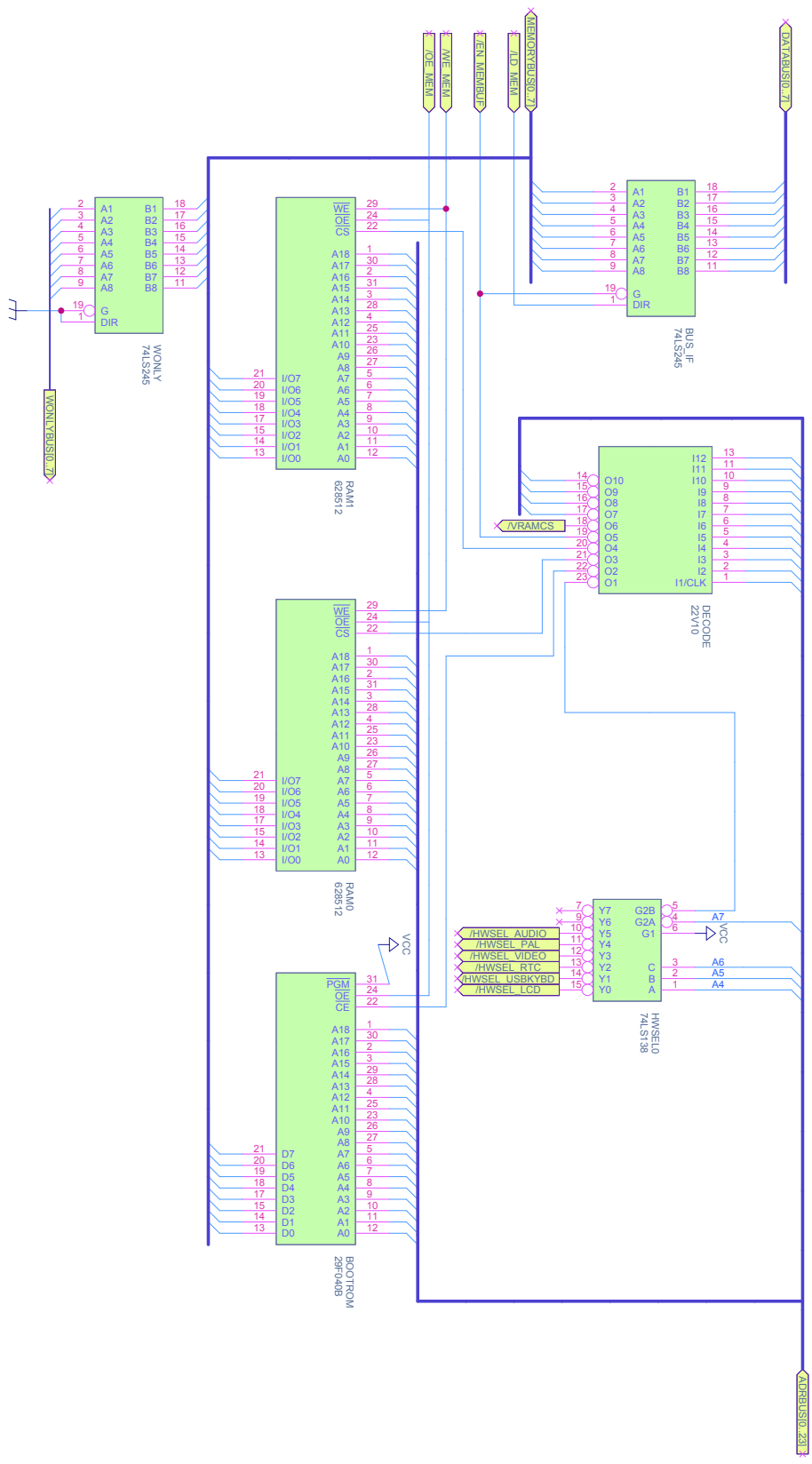
None



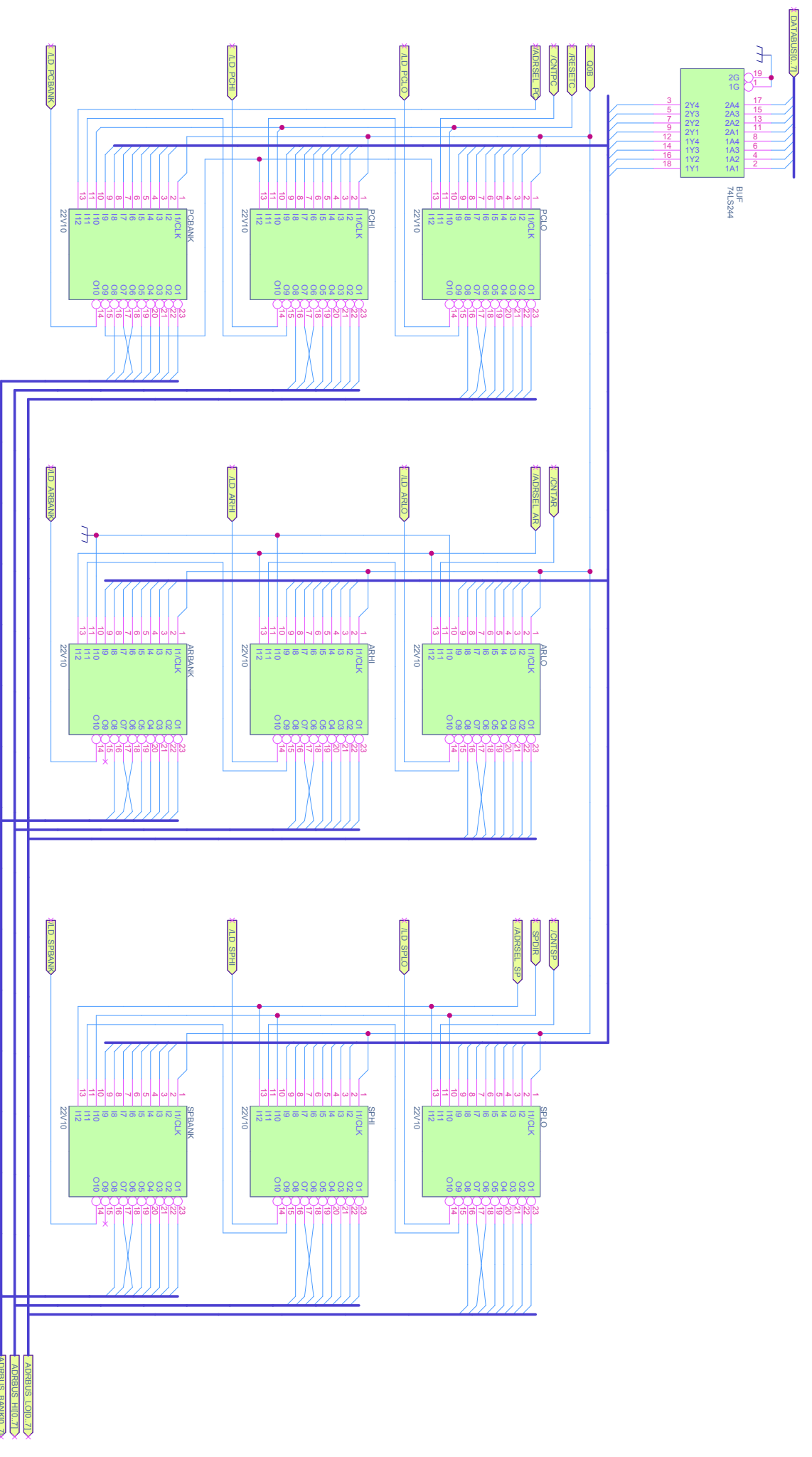
Data Registers

Size	DOC NO	Revision	1
A3	1	3/30/2008 11-4428AM	(SING)

Note



Memory System		Revision		Date	
Size	A3	1	1	1	1
DOC NO	1	1	1	1	1
memory.tblfile	4:10:0200	7:5:14:5	PM	(SINH)	

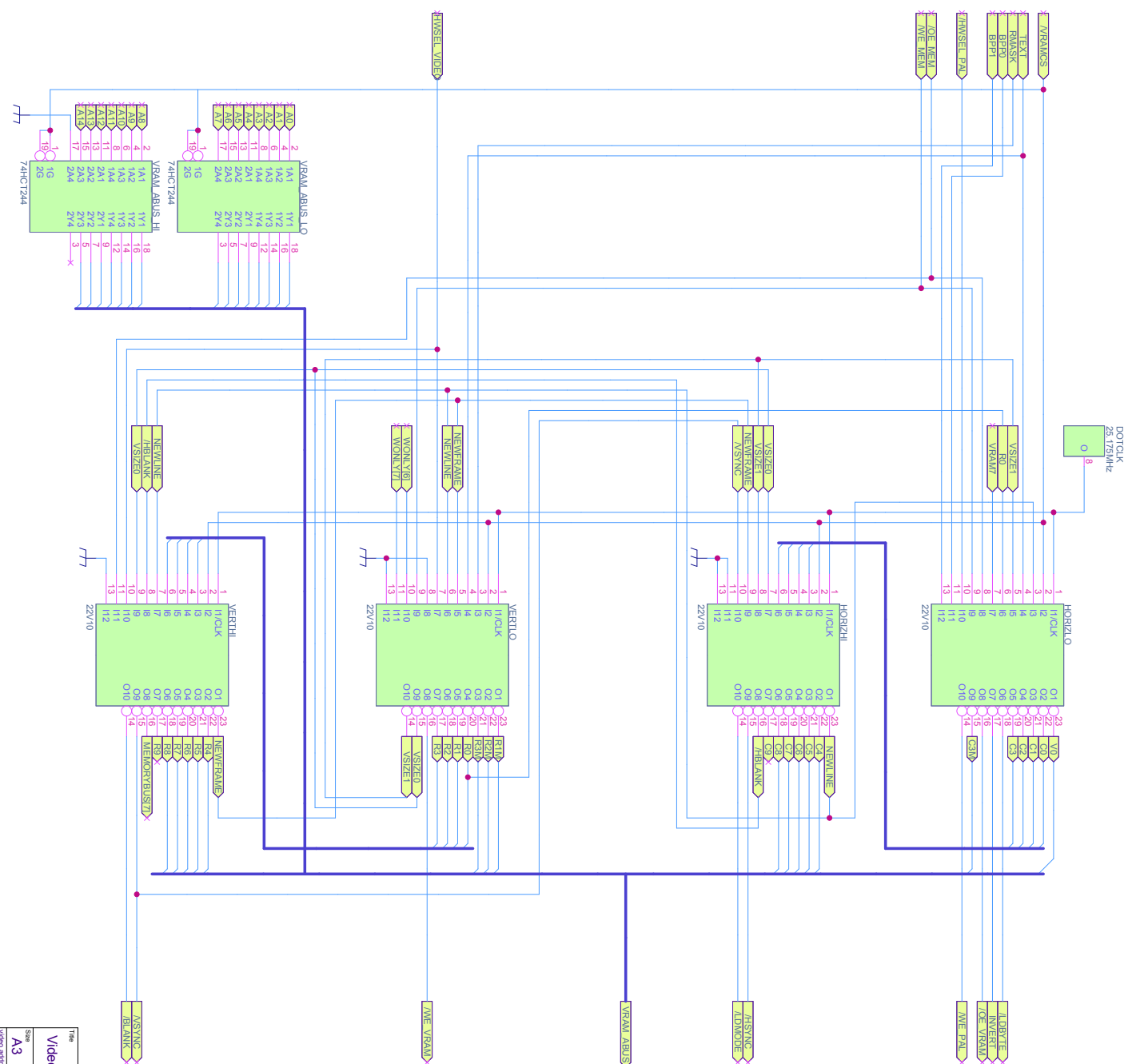


Memory Address Registers

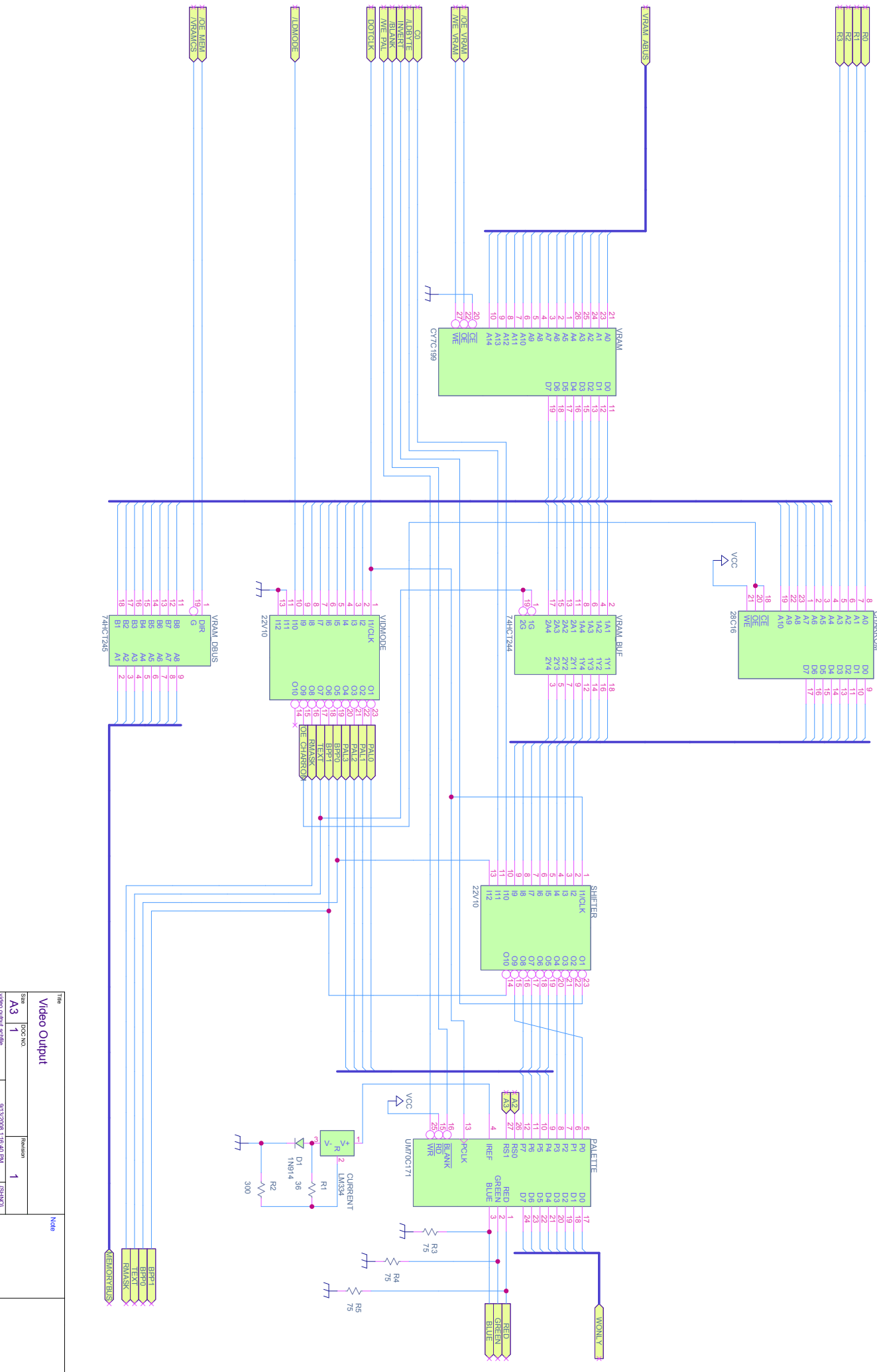
Size	DOC NO	Revision	1	(SHEET)
A3	1	4/12/2006 12:1:59 PM		
memory_registers.sch				

None

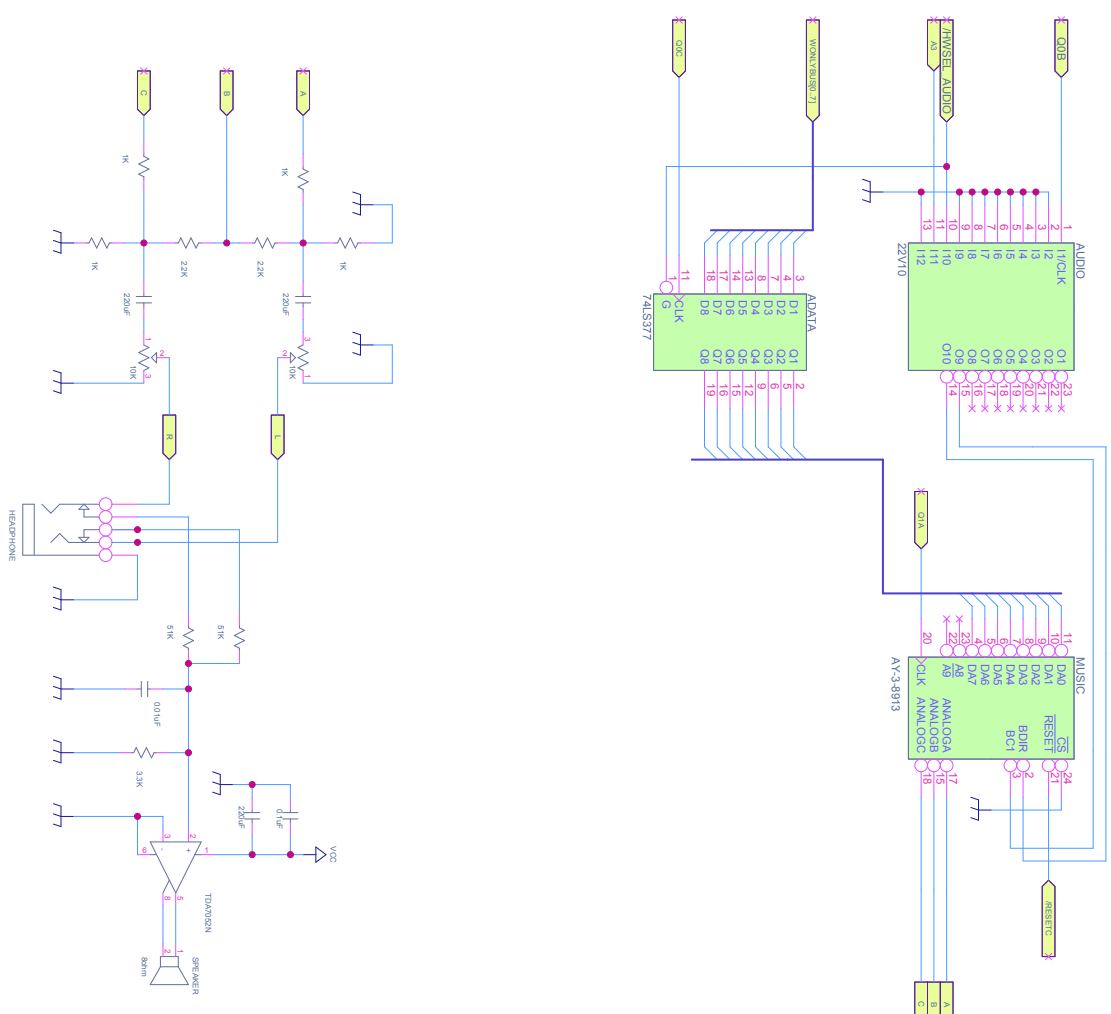
ADDRESS:100/17
ADDRESS:110/17
ADDRESS: BANK0/7



Title		Date	
Video Addressing			
Size	DOC NO	Revision	
A3	1	1	
Video addressing scheme		9155008 10.13.8 PAL (SING)	

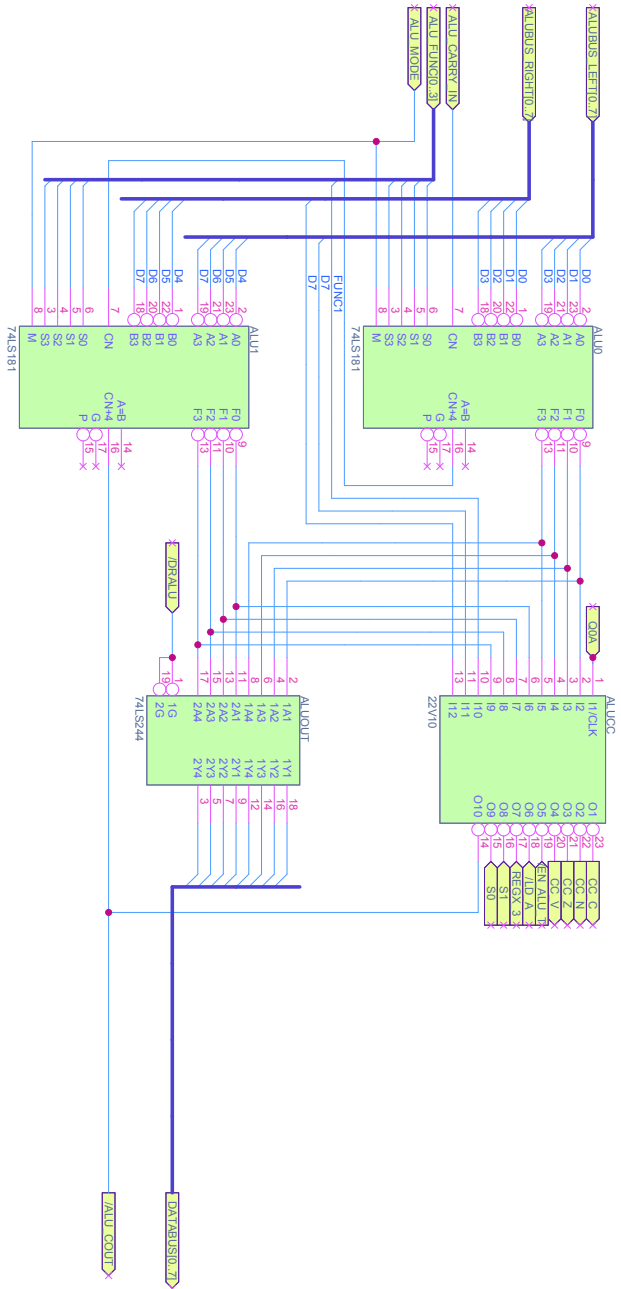


Title		Revision		Made	
Video Output		1			
Size	DOC NO				
A3	1				
Video output schéma		9/13/2008 11:54:40 PM		SUNOZ	

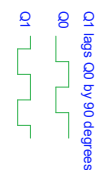
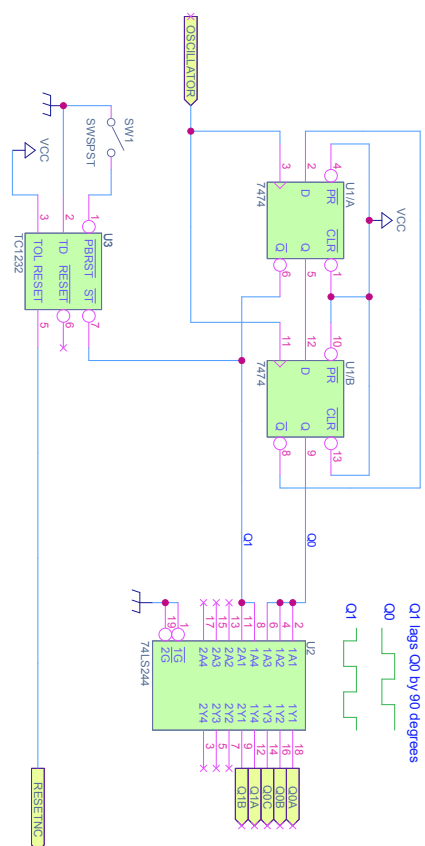


TRM
Audio System
 Date: A3 1
 Revision: 1
 (SMD)

TRM	Audio System		DATE	A3	1	REVISION	1	(SMD)
-----	--------------	--	------	----	---	----------	---	-------



Title		Date	
ALU		A3	
Size	Rev	Author	Checked
A3	1	11/10/2008 10:14:26 PM	1
ALU.sch		11/10/2008 10:14:26 PM	
A		A	



Title		Date	
Clock/Reset System		A3	
Rev	DOC NO	Revision	(SHEET)
1	1	1	1
Clock_generator.cadfile		3/6/2008 4:05:28 PM	

Make